

563

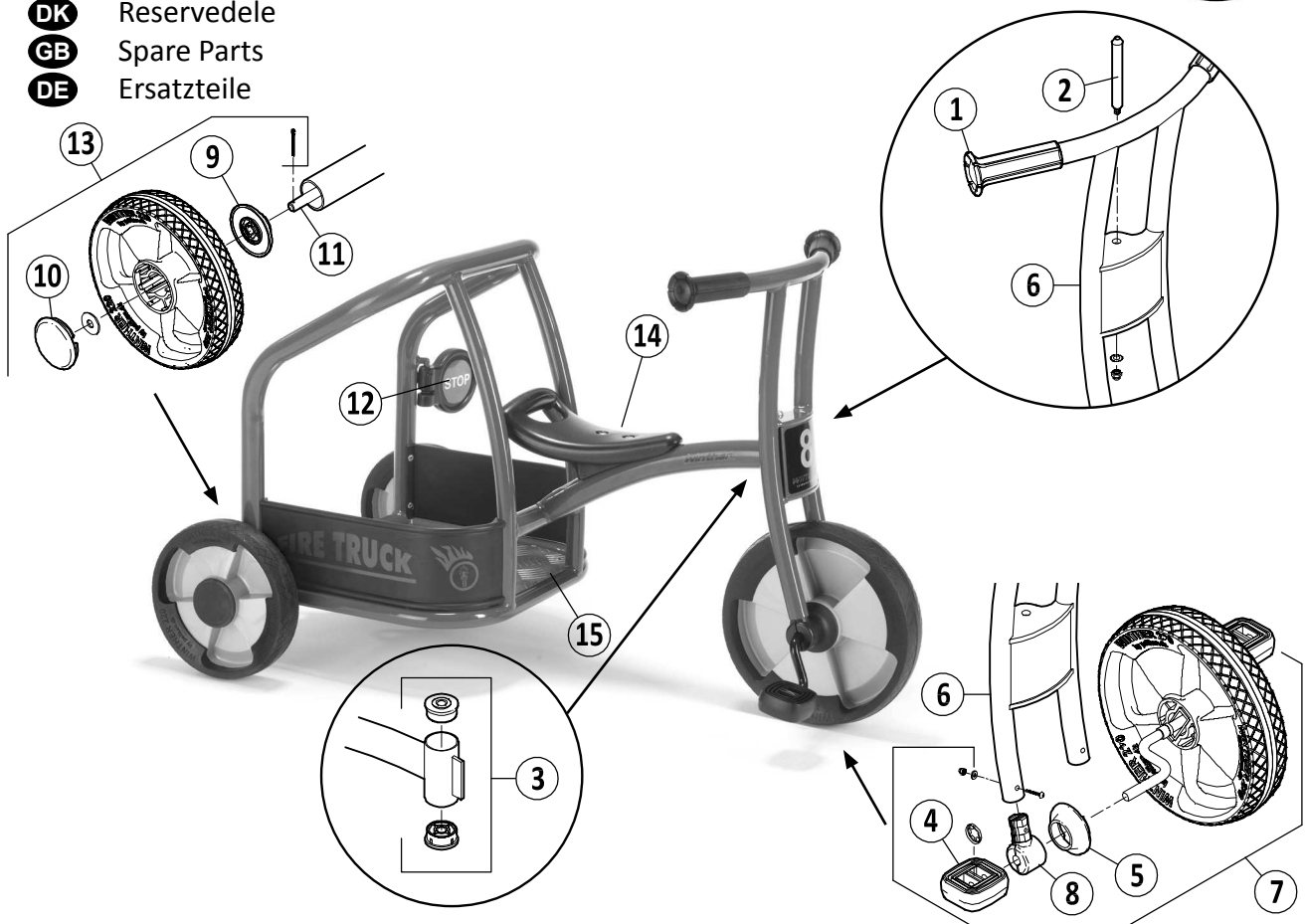


EN 71

ASTM F963



- DK** Reservedele
- GB** Spare Parts
- DE** Ersatzteile



Pos.		Pos.		Pos.	
1	x2	7		12	x1 x1 x1
2	x1 x1 x1 x2 x1			13	
3	x2	8	x2 x2 x2 x1	14	
4	x2 x2	9	x2		
5	x2	10	x2	15	
6		11	x1 x2 x2		



563

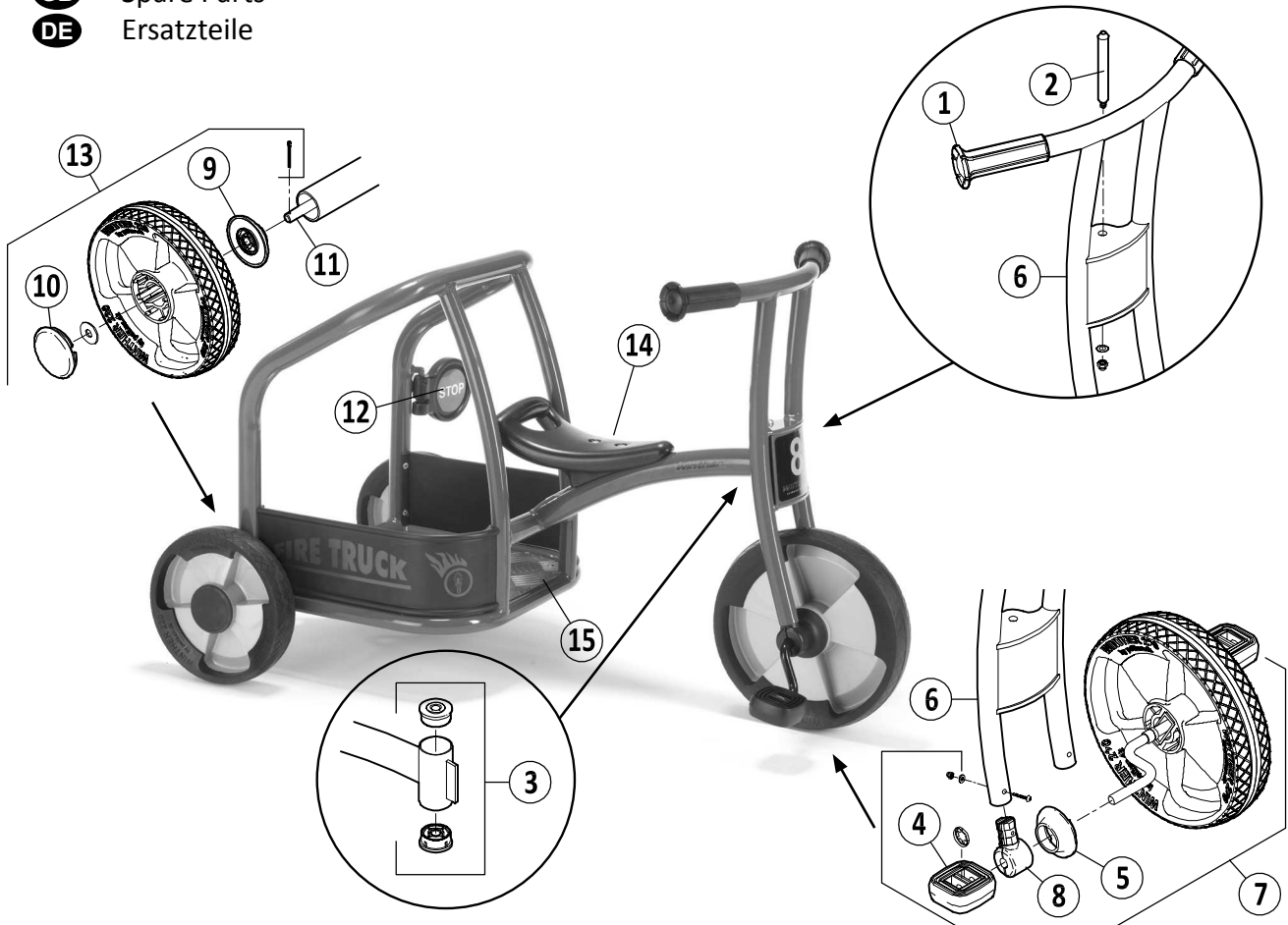


EN 71

ASTM F963



- DK** Reservedele
- GB** Spare Parts
- DE** Ersatzteile



		563.00			
		Version			
Pos.	1.1	2.0			
1	50403	50403			
2	50401	50401			
3	50404	50404			
4	50410	50410			
5	50405	50405			
6	50457	50457			
7	50461	50461			
8	50406	50406			
9	50419	50419			
10	50420	50420			
11	50414	50414			
12	50481	50481			
13	50471	50471			
14	50480	50480			
15	50498	50498			