

551

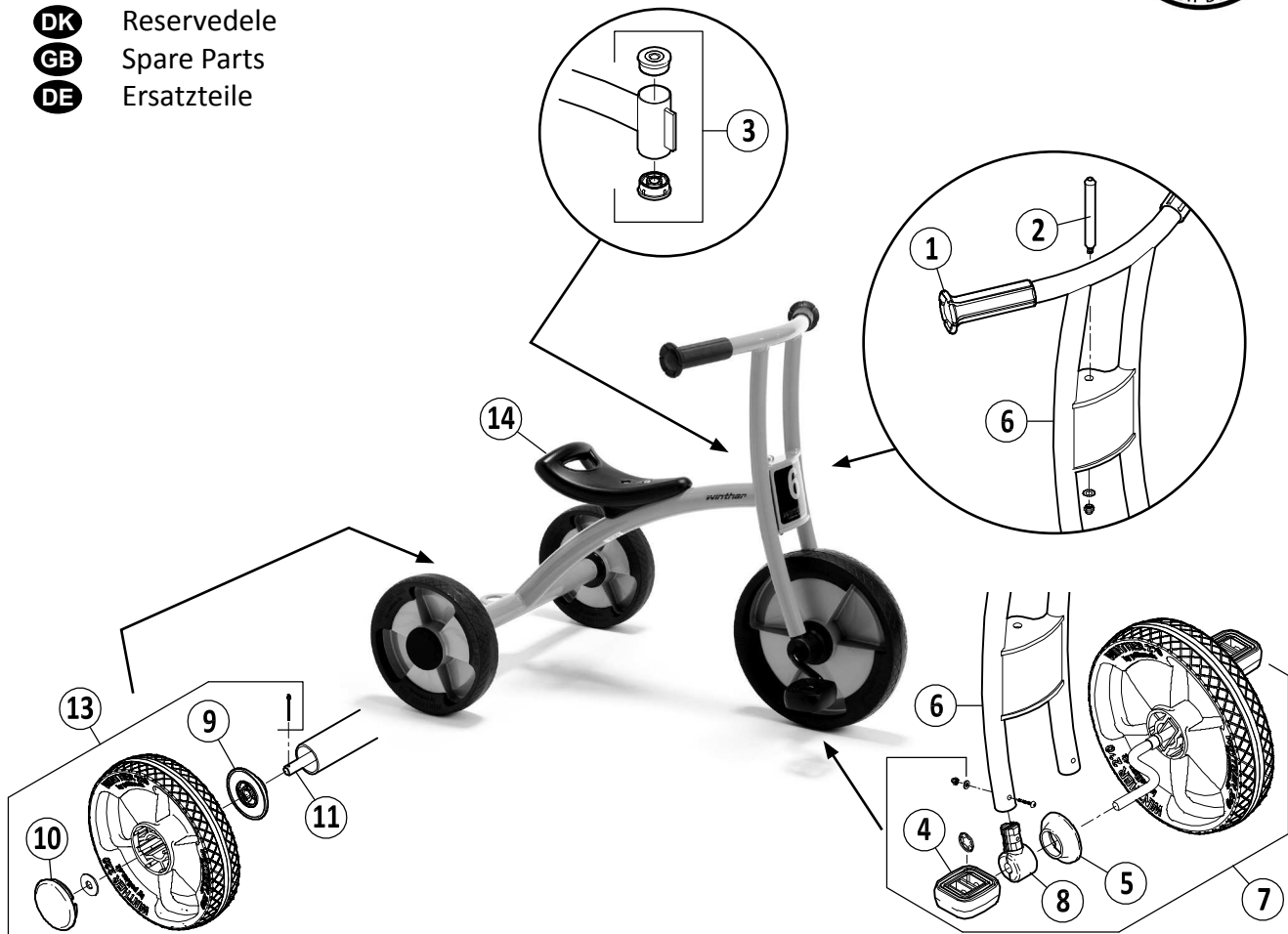


EN 71

ASTM F963



- DK** Reservedele
- GB** Spare Parts
- DE** Ersatzteile



Pos.		Pos.	
1	x2	8	x2 x2 x2 x1
2	x1 x2 x1 x1 x1	9	x2
3	x2	10	x2
4	x2 x2	11	x1 x2 x2
5	x2	12	
6		7	
13		14	



551

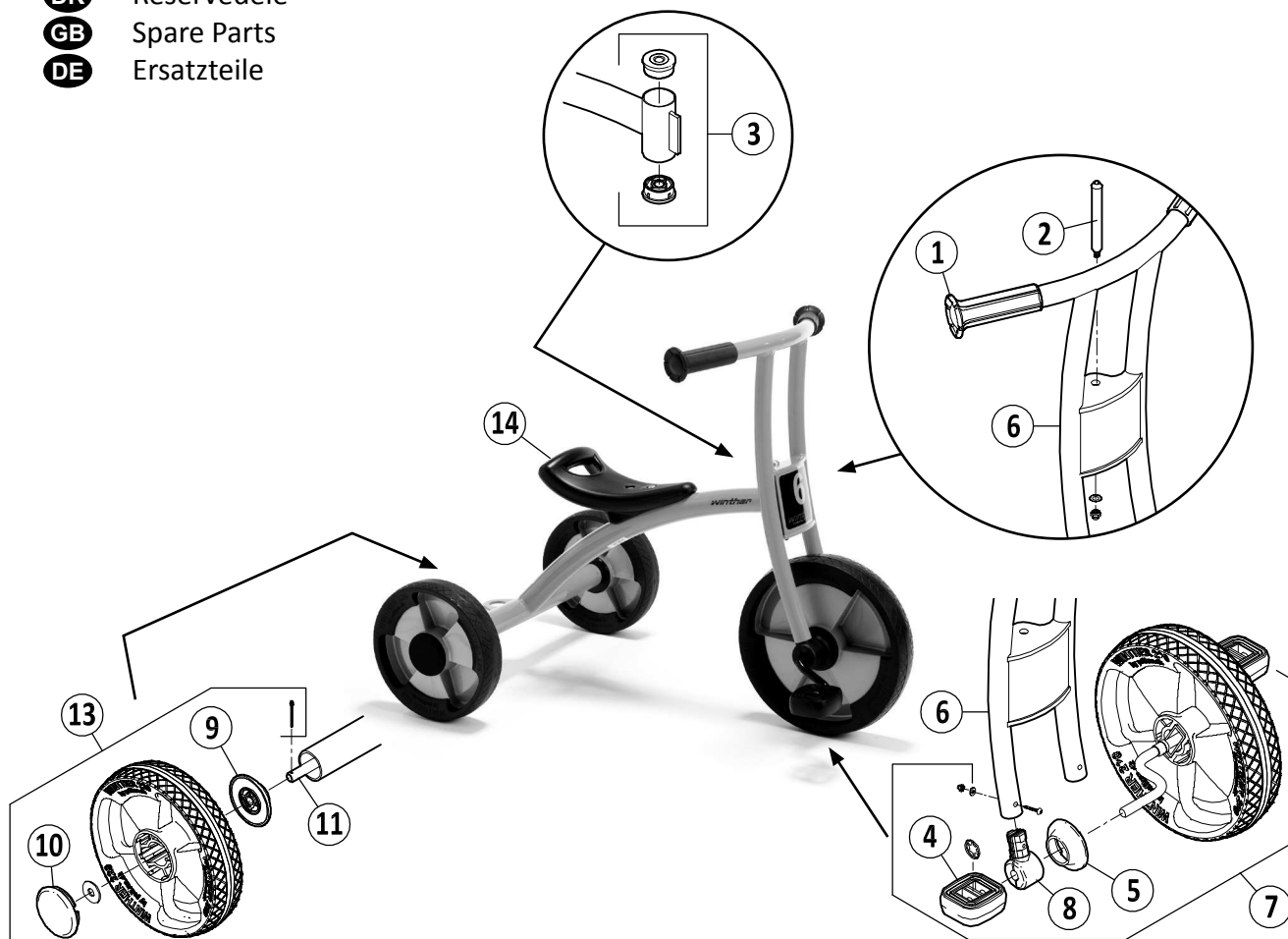


EN 71

ASTM F963



- DK** Reservedele
- GB** Spare Parts
- DE** Ersatzteile



		551.00			
		Version			
Pos.	1.0	2.0			
1	50403	50403			
2	50401	50401			
3	50404	50404			
4	50410	50410			
5	50405	50405			
6	50451	50451			
7	50461	50461			
8	50406	50406			
9	50419	50419			
10	50420	50420			
11	50413	50413			
12	-	-			
13	50471	50471			
14	50480	50480			
15	-	-			
16	-	-			
17	-	-			
18	-	-			